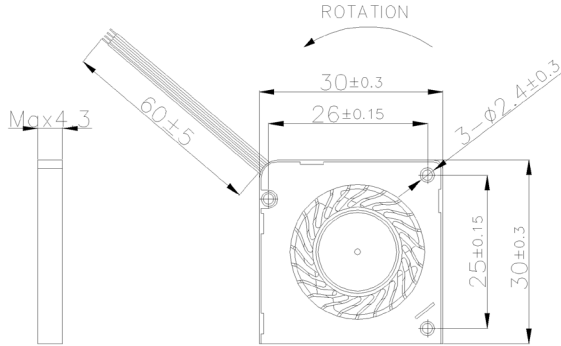
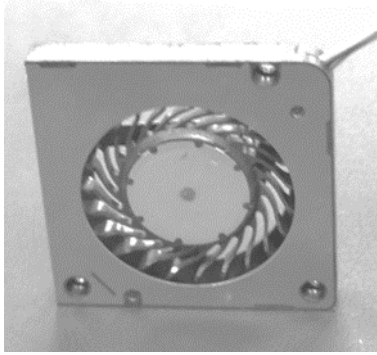
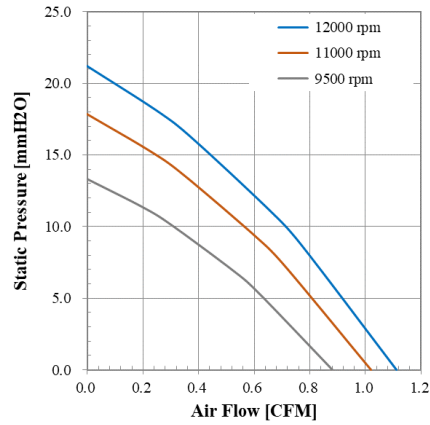


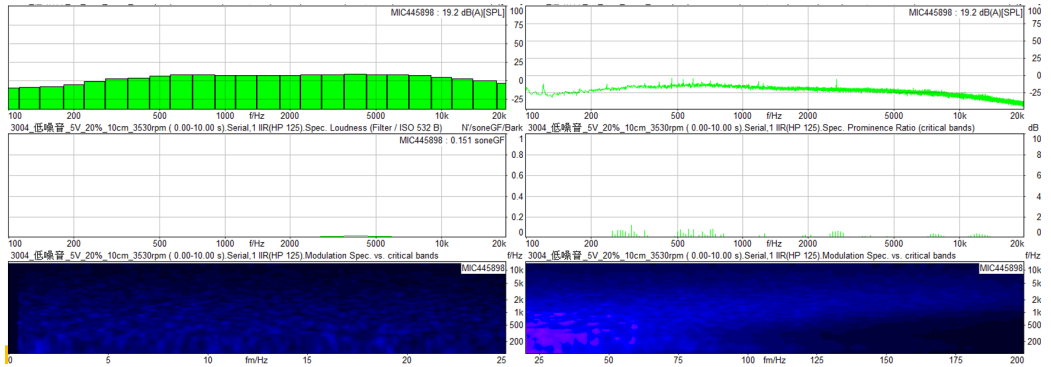
# iMiNi Fan 30\*30\*4 MM Low Noise Series



Housing : Plastic (UL 94V-0)  
Blade : Plastic (UL 94V-0)  
Bearing : Sleeve bearing  
Operating temp : -10 ~ 60 °C  
Mass : 5.6g



## 20% Duty Speed Sound Quality Spectrum



Product Type	Model No.		Control Type	Bearing Type	Rated Voltage	Operating Voltage Range	Operating Temp.	Speed	Input Current	Input Power	Maximum Air Flow		Maximum Air Pressure		Noise
					VDC	VDC	°C	R.P.M	Amp	Watt	CFM	l/min	Pa	mmH2O	dB(A)@30CM
iMiNi 3004 Low Noise 鼓風扇 低噪音系列	M1B3040H	HN4010	+/-FG/PWM	Hydraulic	5	3.5~5.5	-40~60	12000	0.38	1.88	1.11	31.48	208.0	21.22	41.3
	M1B3040H	HN4020	+/-FG/PWM	Hydraulic	5	3.5~5.5	-40~60	11000	0.26	1.30	1.02	28.86	174.7	17.83	38.9
	M1B3040H	HN4030	+/-FG/PWM	Hydraulic	5	3.5~5.5	-40~60	9500	0.18	0.90	0.88	24.92	130.3	13.30	34.9
iMiNi 3004 IP68 Low Noise 鼓風扇 低噪音系列	M1B3040H	HN4110	+/-FG/PWM	Hydraulic	5	3.5~5.5	-40~60	12000	0.38	1.88	1.11	31.48	208.0	21.22	41.3
	M1B3040H	HN4120	+/-FG/PWM	Hydraulic	5	3.5~5.5	-40~60	11000	0.26	1.30	1.02	28.86	174.7	17.83	38.9
	M1B3040H	HN4030	+/-FG/PWM	Hydraulic	5	3.5~5.5	-40~60	9500	0.18	0.90	0.88	24.92	130.3	13.30	34.9